

Instructions for building a Warre Hive

Designed By: Darren Gordon
House of Bees

Drawn By: Leika J. Anderson
Olympic College

House of Bees



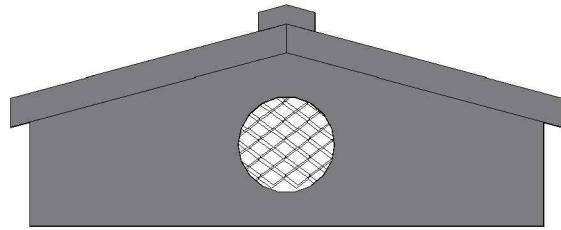
PO Box 24, Southworth, WA 98386

email: info@houseofbees.com

www.houseofbees.com

© 2012 House of Bees
No reprint without permission

Front or Back View



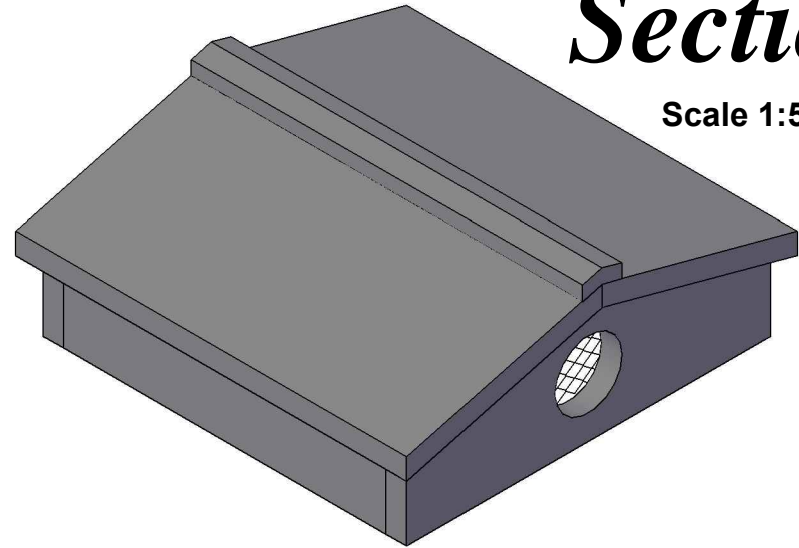
Left or Right Side View



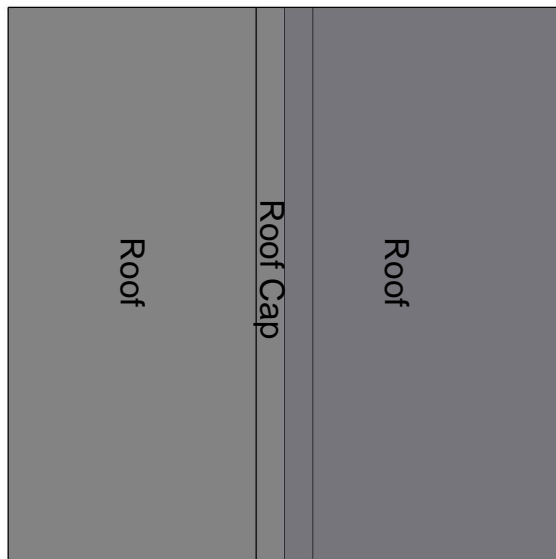
Side Section

Roof Section

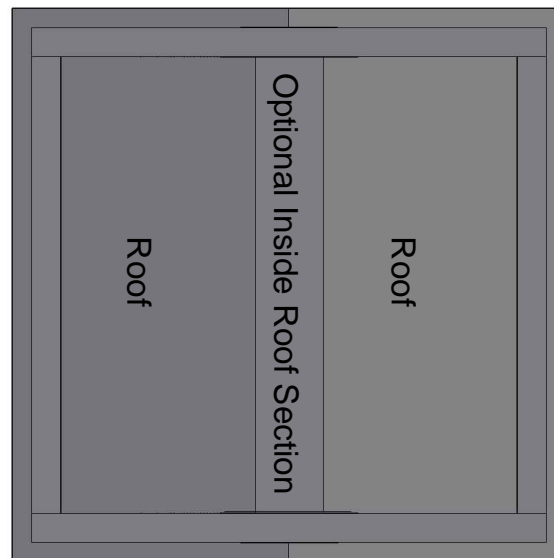
Scale 1:5



Top View



Bottom View



Designed By: Darren Gordon
House of Bees

Drawn By: Leika J. Anderson
Olympic College

House of Bees



PO Box 24, Southworth, WA 98386

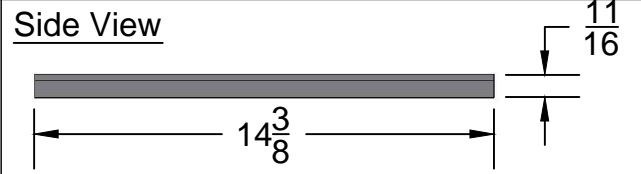
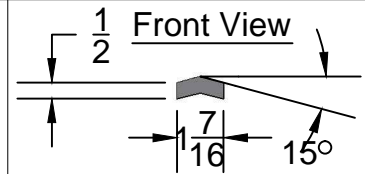
email: info@houseofbees.com

www.houseofbees.com

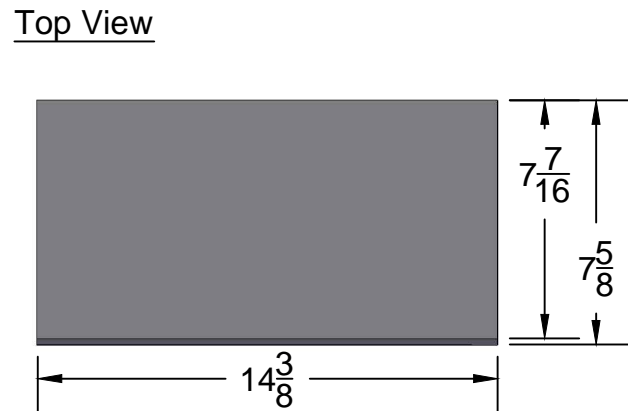
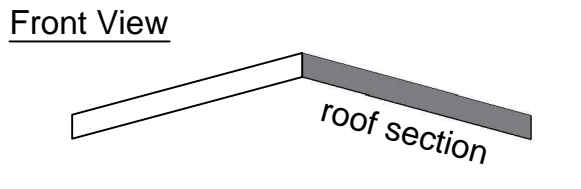
Roof Section Parts

Scale 1:6

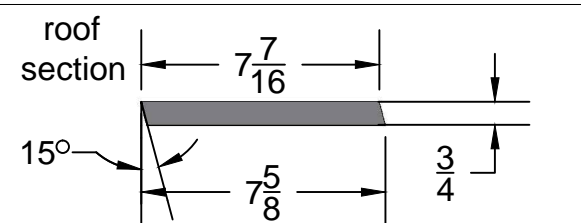
Note: All Dimensions Are In Inches Unless Otherwise Noted



Roof Cap Section

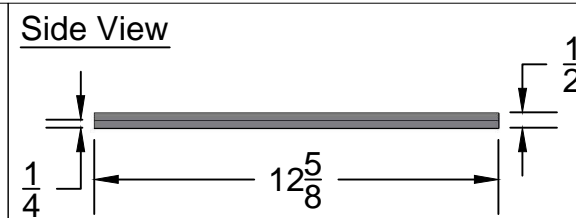
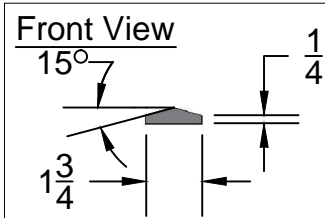


Roof Sections



Designed By: Darren Gordon
House of Bees

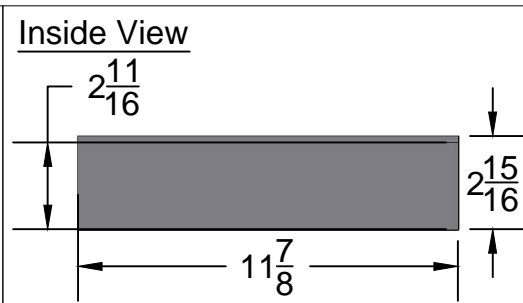
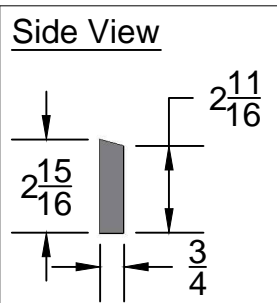
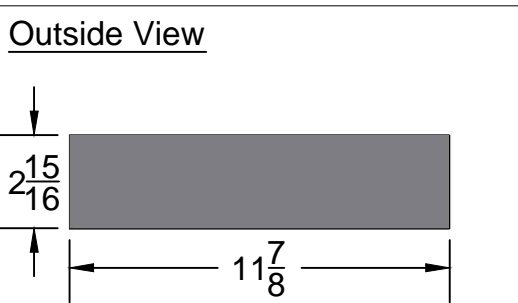
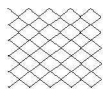
Drawn By: Leika J. Anderson
Olympic College



Optional
Inside Roof Section

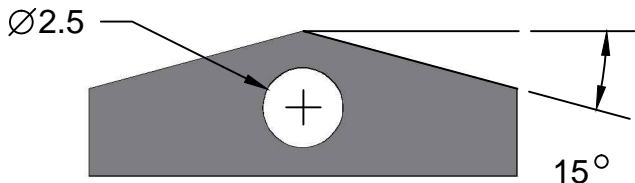
$\frac{1}{8}$ " hardware cloth

3 x 3

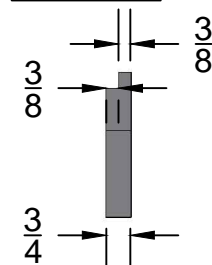


Left and Right Sections

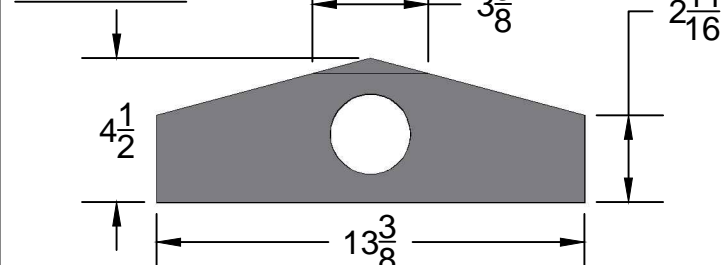
Outside View



Side View



Inside View



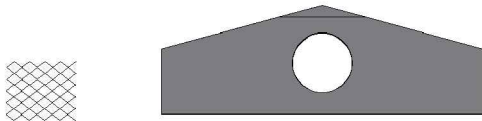
Front and Back Sections

Cut Notch Only If Using Optional Inside Roof Section

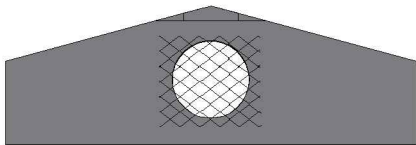
Roof Assembly

Scale 1:8

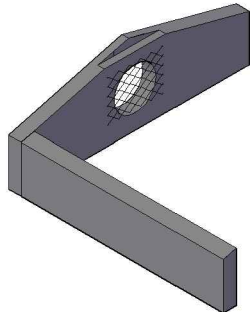
Step #1: Cut hardware cloth to fit opening.



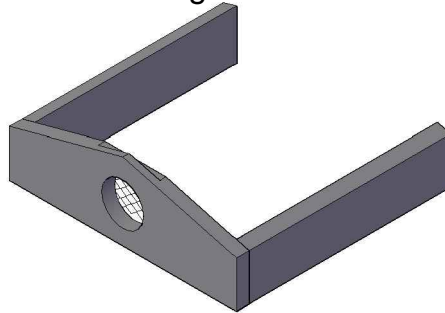
Step #2: Attach hardware cloth to front and back.



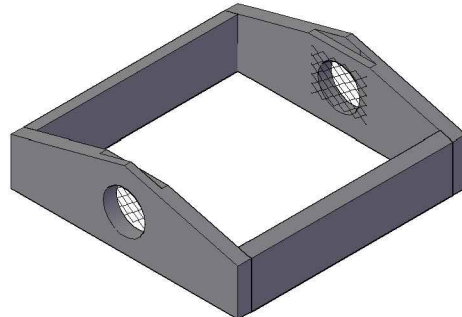
Step #3 : Attach left side to front.



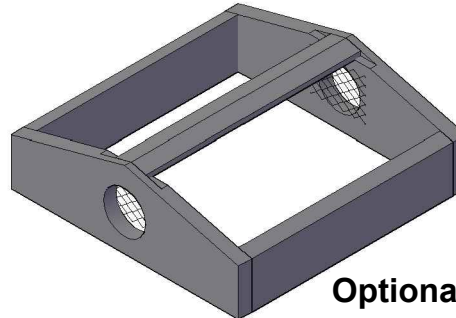
Step #4: Attach right side.



Step #5: Attach back to sides.

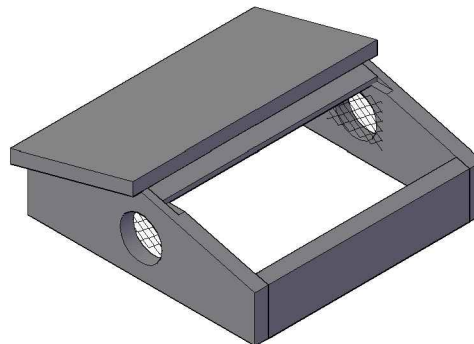


Step #6: Attach inside roof section.

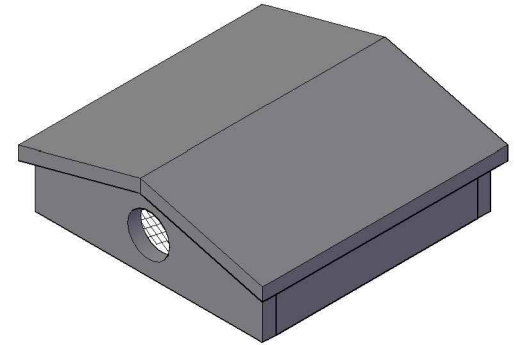


Optional Part

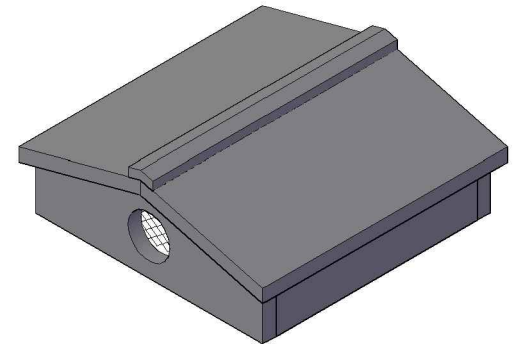
Step #7: Attach roof section.



Step #8: Attach second roof section.



Step #9: Attach roof cap.



Designed By: Darren Gordon
House of Bees

Drawn By: Leika J. Anderson
Olympic College

House of Bees



PO Box 24, Southworth, WA 98386

email: info@houseofbees.com

www.houseofbees.com

Front or Back View

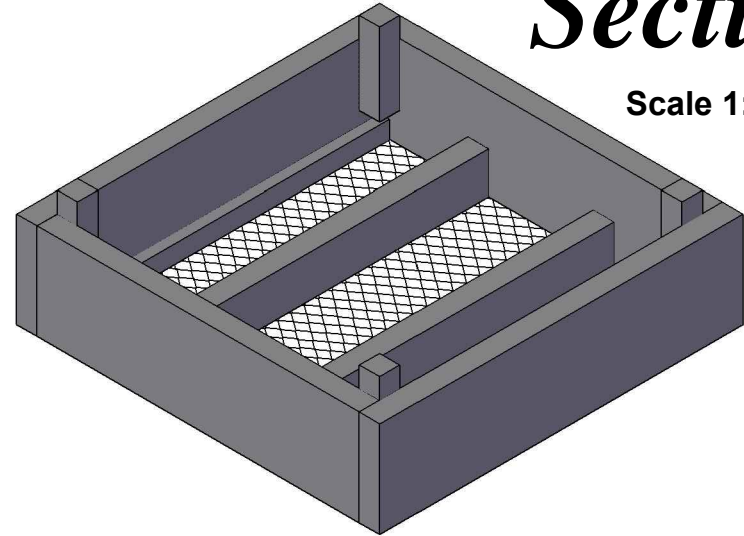


Left or Right Side View

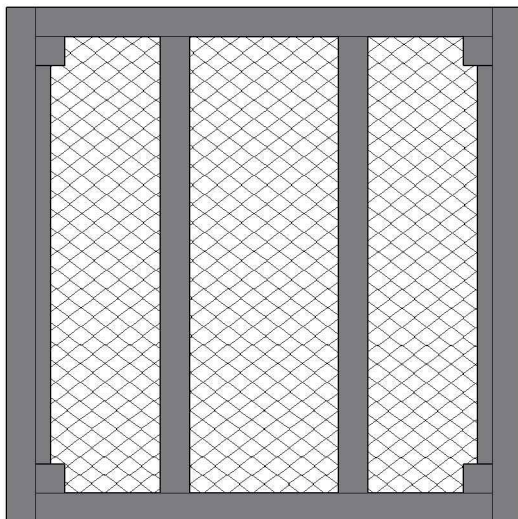


Feeder Section

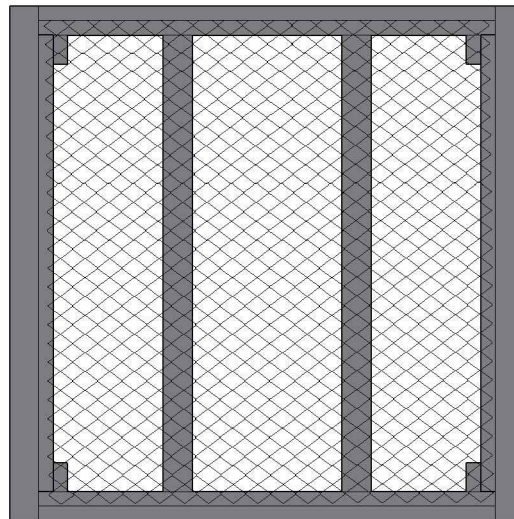
Scale 1:5



Top View



Bottom View



Designed By: Darren Gordon
House of Bees

Drawn By: Leika J. Anderson
Olympic College

House of Bees



PO Box 24, Southworth, WA 98386

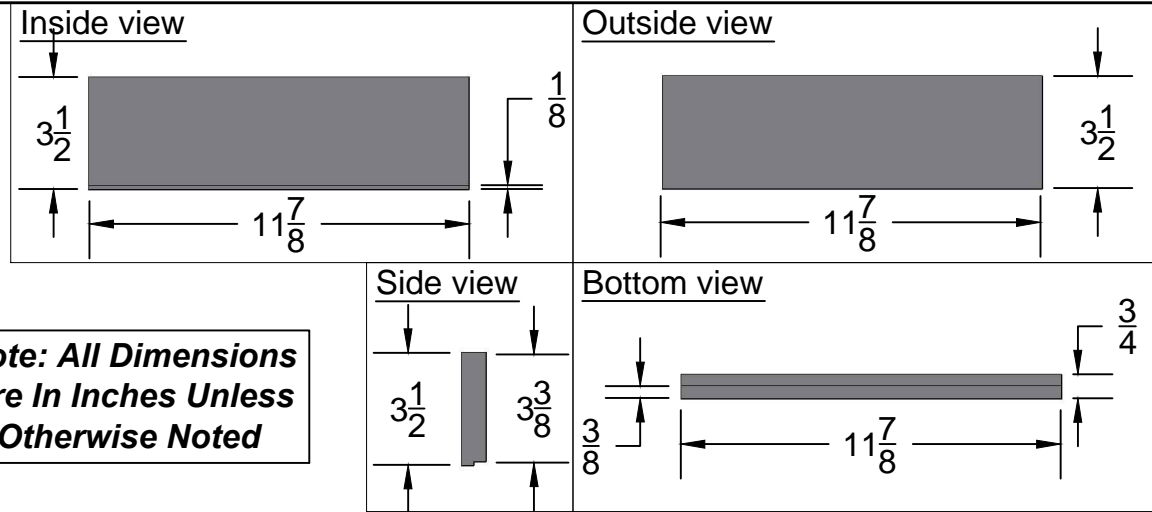
email: info@houseofbees.com

www.houseofbees.com

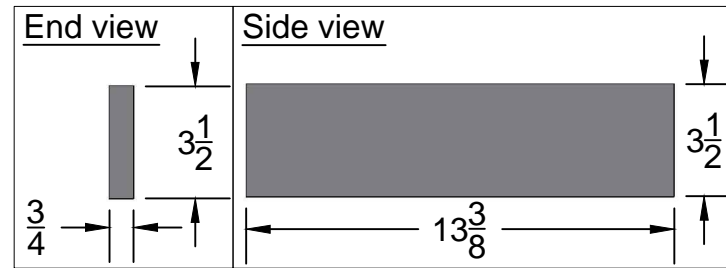
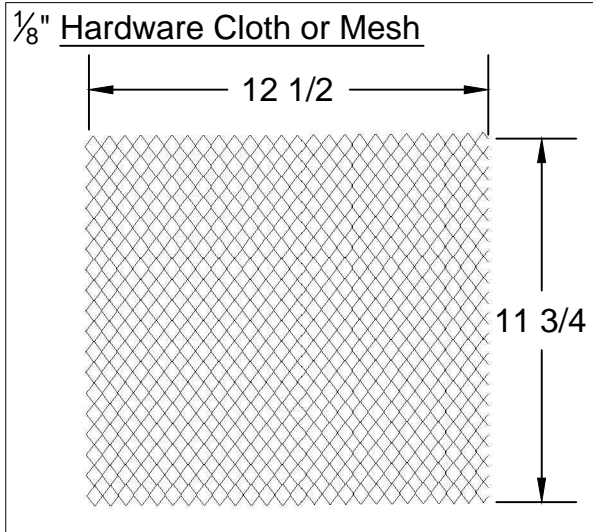
Feeder Section Parts

Scale 1:6

Note: All Dimensions Are In Inches Unless Otherwise Noted



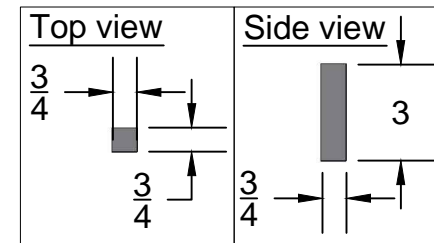
Front or Back Sections



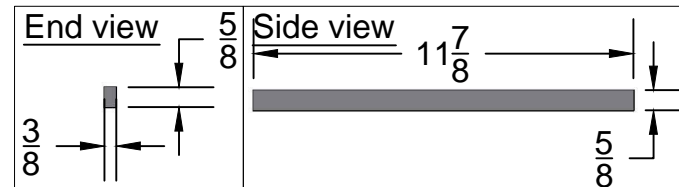
Left or Right Sections

Designed By: Darren Gordon
House of Bees

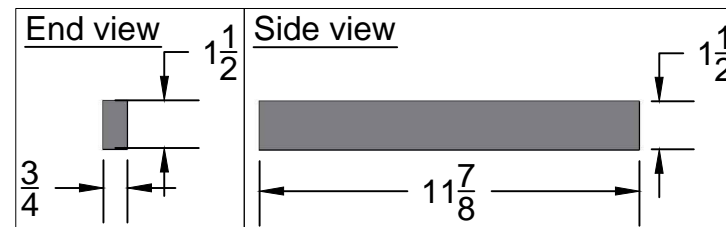
Drawn By: Leika J. Anderson
Olympic College



Corner Posts



Rails for Sections



Center Rails

House of Bees

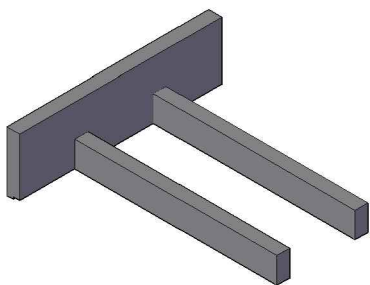


PO Box 24, Southworth, WA 98386
email: info@houseofbees.com
www.houseofbees.com

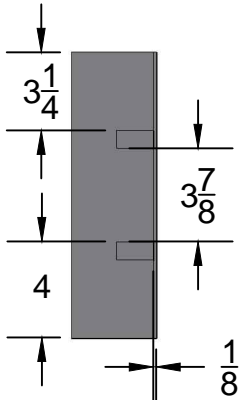
Feeder Assembly

Scale 1:8

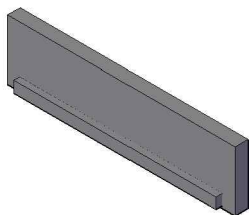
Step #1A: Attach center rails to front.



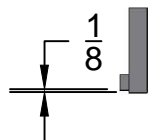
#1B: Side view



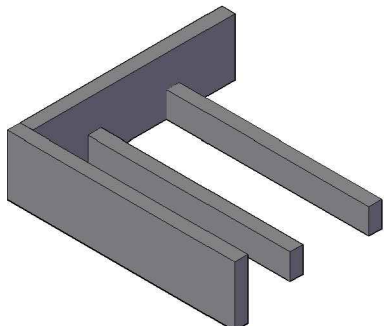
Step #2A: Attach rail to left and right section.



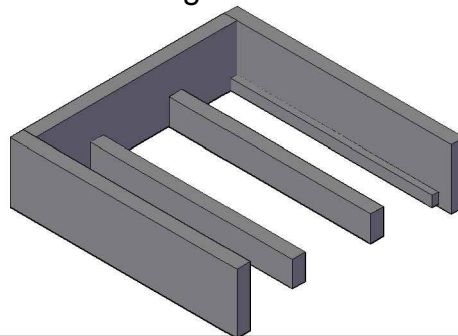
#2B: Side view



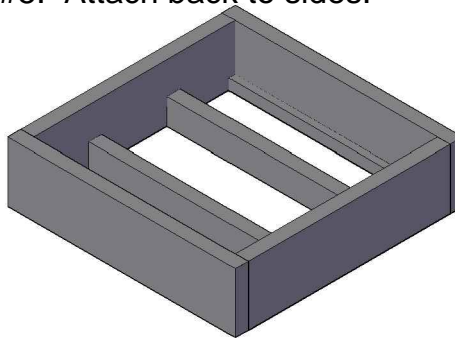
Step #3: Attach left side to front.



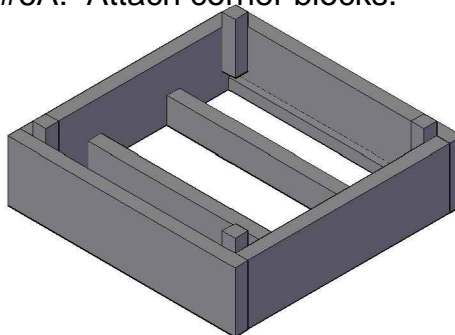
Step #4: Attach right side.



Step #5: Attach back to sides.

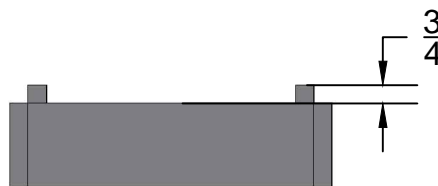


Step #6A: Attach corner blocks.

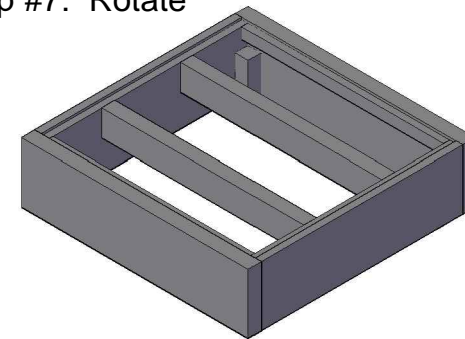


Step #6B: Sand outside of corner blocks for Roof Section to fit together easily.

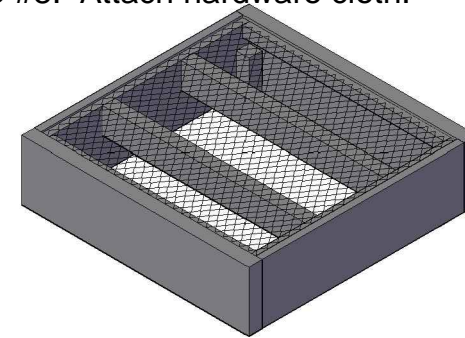
Step #6C: Side view



Step #7: Rotate



Step #8: Attach hardware cloth.



Designed By: Darren Gordon
House of Bees

Drawn By: Leika J. Anderson
Olympic College

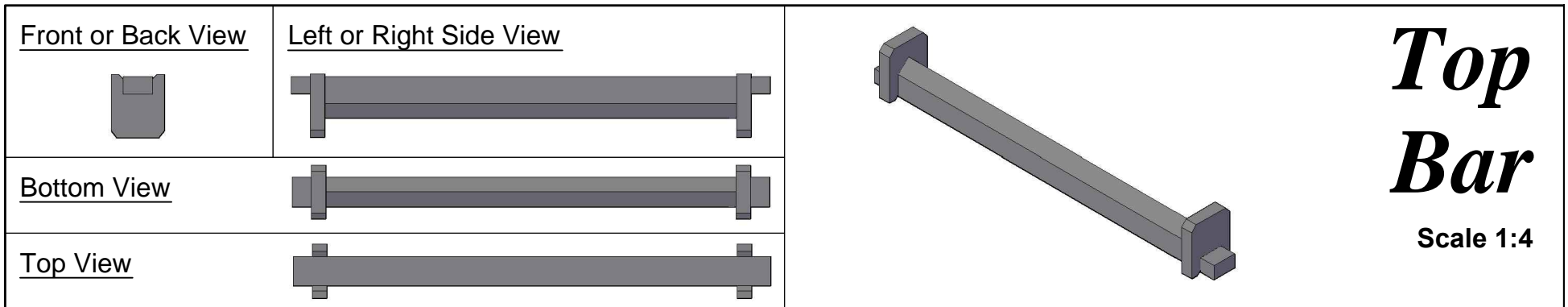
House of Bees



PO Box 24, Southworth, WA 98386

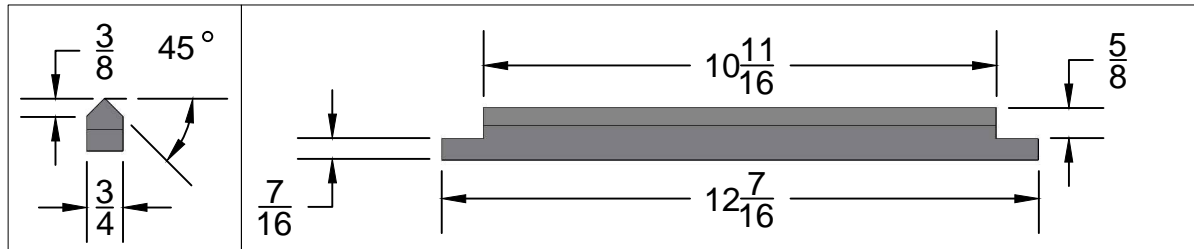
email: info@houseofbees.com

www.houseofbees.com



Top Bar Parts

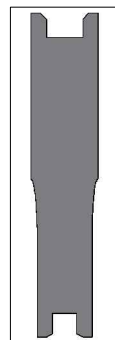
Scale 1:4



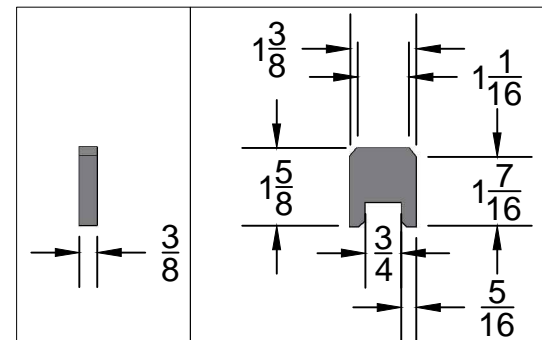
Bar

Designed By: Darren Gordon
House of Bees

Drawn By: Leika J. Anderson
Olympic College



Note: End Bar is cut from Standard Langstroth End Bar (as shown-left). End Bar can be purchased from a bee keeping supply company.



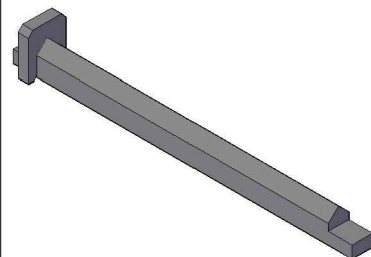
End Tab

Note: All Dimensions Are In Inches Unless Otherwise Noted

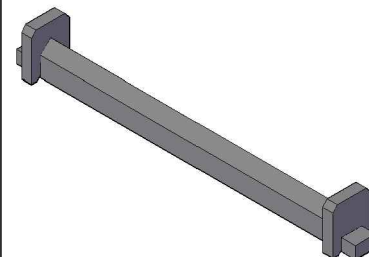
Top Bar Assembly

Scale 1:5

Step #1: Attach end tab to bar.



Step #2: Attach other end tab to bar.



House of Bees



PO Box 24, Southworth, WA 98386

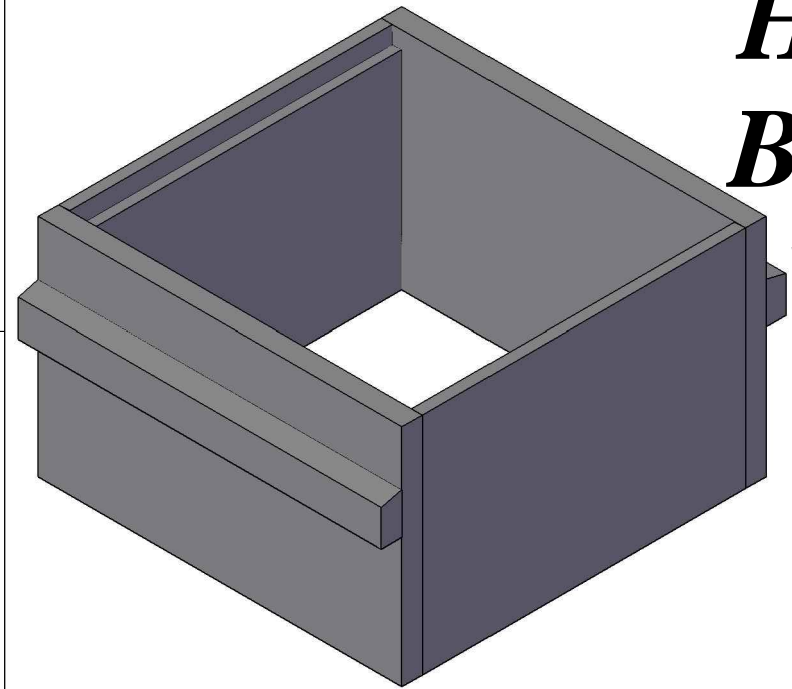
email: info@houseofbees.com

www.houseofbees.com

Front or Back View



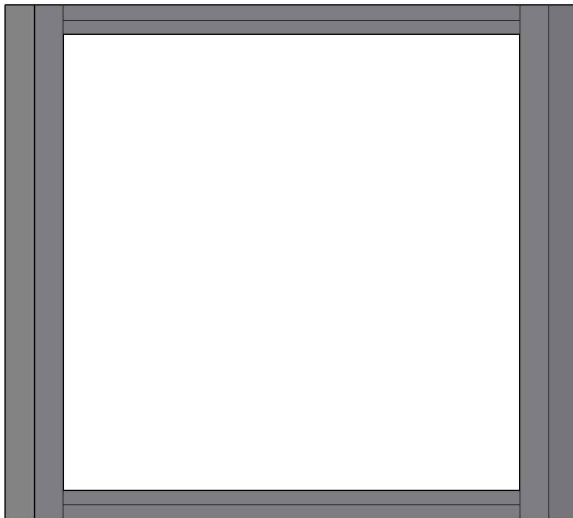
Left or Right Side View



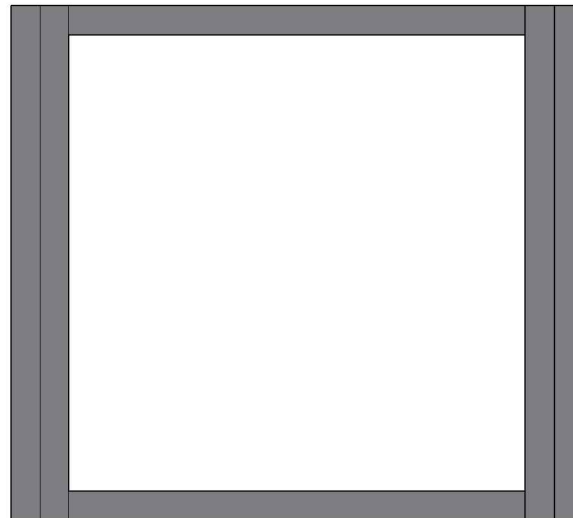
Hive Body

Scale 1:5

Top View



Bottom View



Designed By: Darren Gordon
House of Bees

Drawn By: Leika J. Anderson
Olympic College

House of Bees



PO Box 24, Southworth, WA 98386

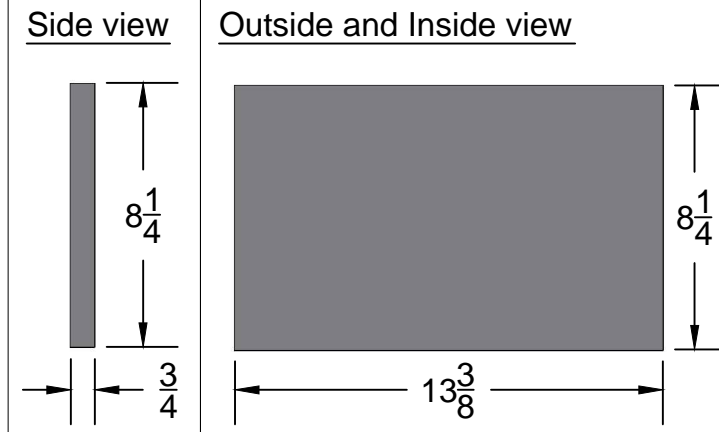
email: info@houseofbees.com

www.houseofbees.com

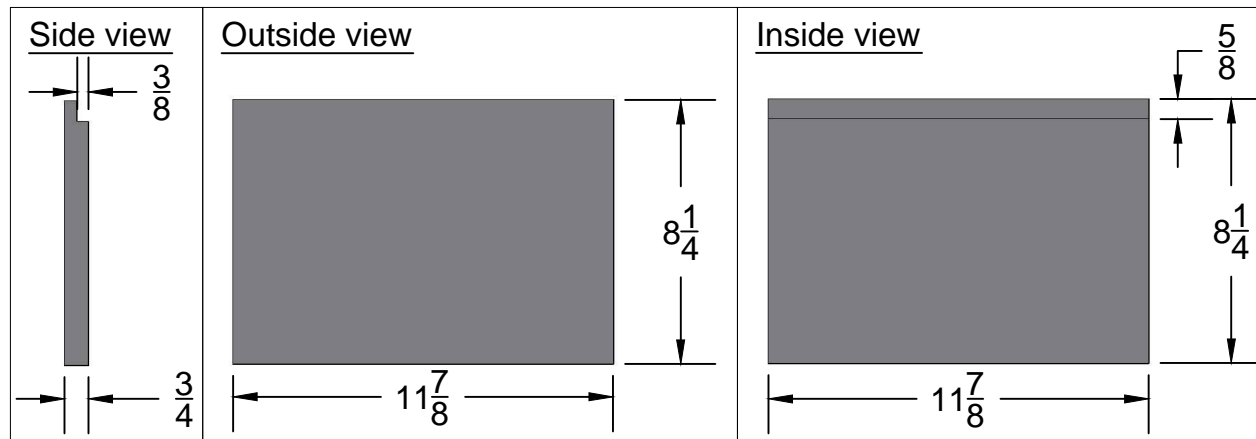
Hive Body Parts

Scale 1:6

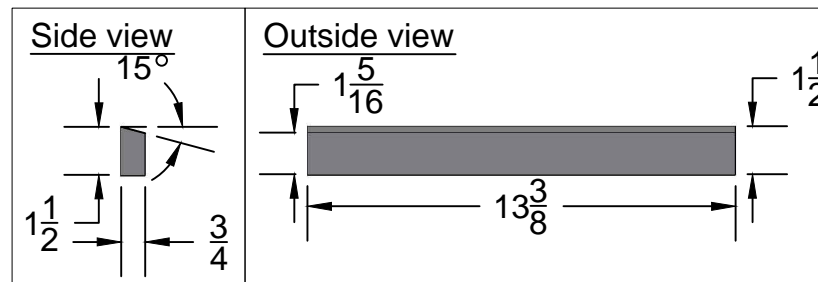
**Note: All Dimensions
Are In Inches Unless
Otherwise Noted**



Left or Right
Sections



Front or Back
Sections



Handholds

House of Bees



PO Box 24, Southworth, WA 98386
email: info@houseofbees.com
www.houseofbees.com

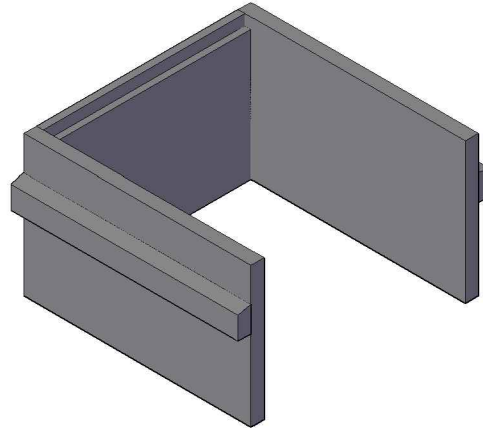
Designed By: Darren Gordon
House of Bees

Drawn By: Leika J. Anderson
Olympic College

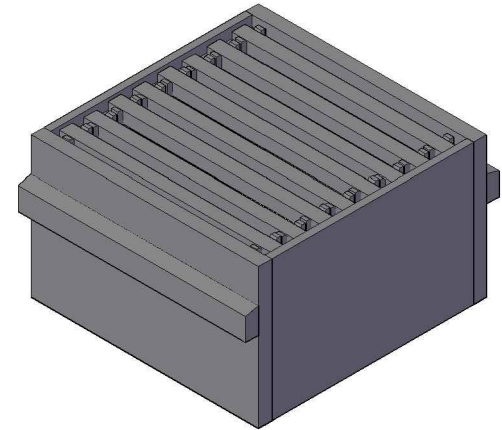
Hive Body Assembly

Scale 1:8

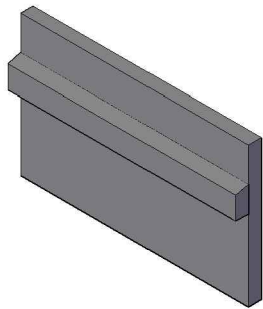
Step #3: Attach right side to front.



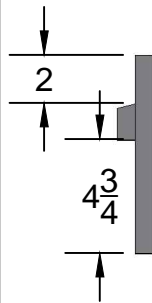
Step #5: Set 8 top bars in place evenly.



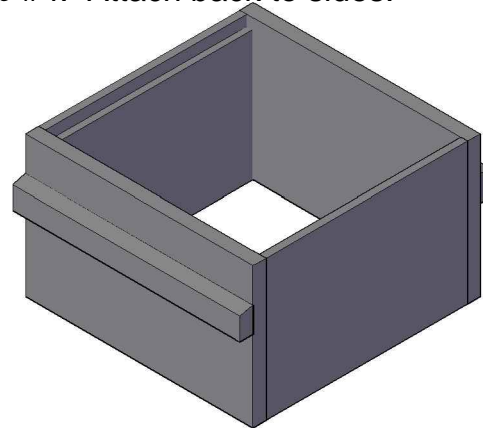
Step #1A: Attach handhold to left and right sides.



#1B: side view



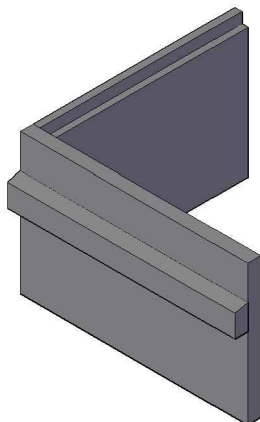
Step #4: Attach back to sides.



Designed By: Darren Gordon
House of Bees

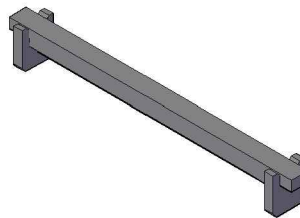
Drawn By: Leika J. Anderson
Olympic College

Step #2: Attach left side to front..



Note: Once Warre hive is completed it is in this section that eight top bars will be set in place. Please use no glue or nails, as these are meant to be removable.

Top Bar
scale 1:6



House of Bees

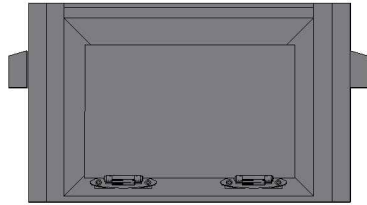


PO Box 24, Southworth, WA 98386

email: info@houseofbees.com

www.houseofbees.com

Front View



Back View



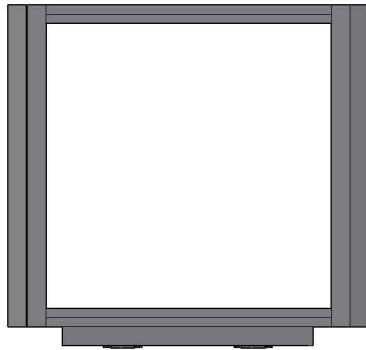
Left Side View



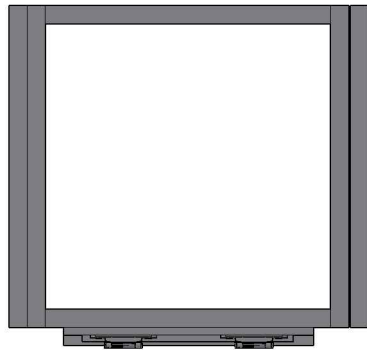
Right Side View



Top View

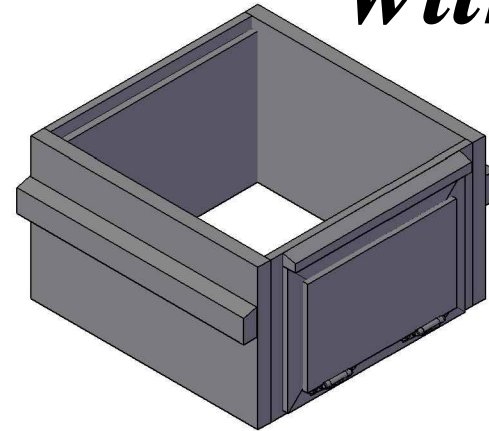


Bottom View



Hive Body with Door

Scale 1:8



Designed By: Darren Gordon
House of Bees

Drawn By: Leika J. Anderson
Olympic College

House of Bees



PO Box 24, Southworth, WA 98386

email: info@houseofbees.com

www.houseofbees.com

Hive Body Parts

Scale 1:8

With Observation Door

**Note: All Dimensions
Are In Inches Unless
Otherwise Noted**

Designed By: Darren Gordon
House of Bees

Drawn By: Leika J. Anderson
Olympic College

House of Bees

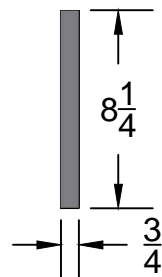


PO Box 24, Southworth, WA 98386

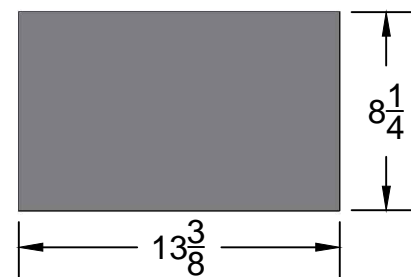
email: info@houseofbees.com

www.houseofbees.com

Side view

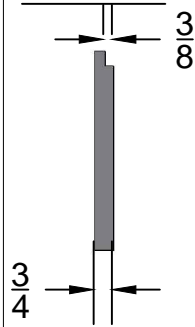


Outside and Inside view

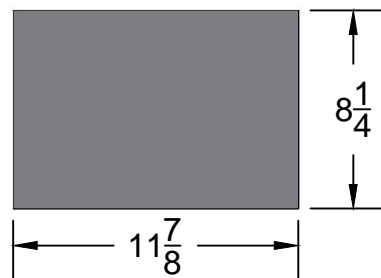


Left or Right
Sections

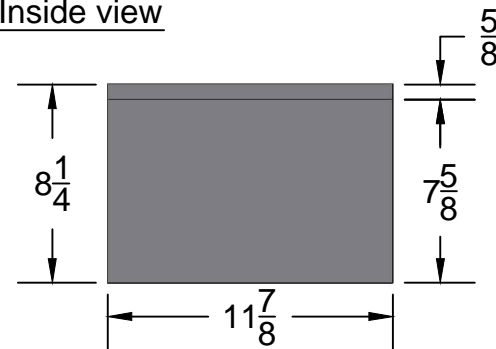
Side view



Outside view

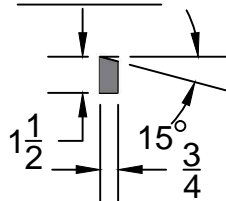


Inside view

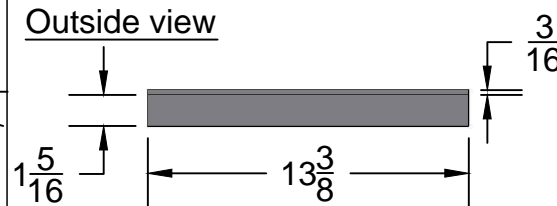


Back
Section

Side view

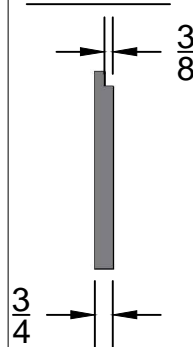


Outside view

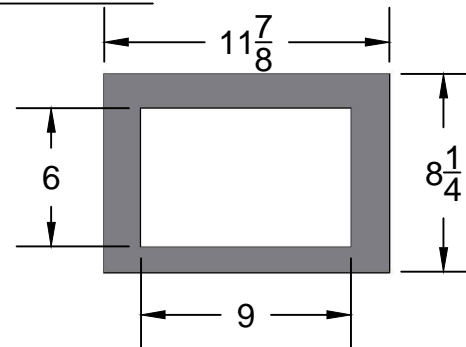


Handholds

Side view



Front view

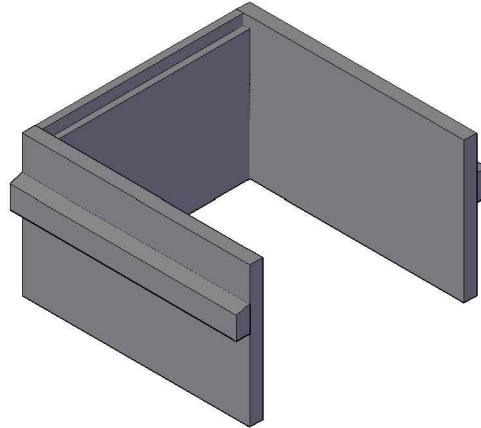


Front
Section

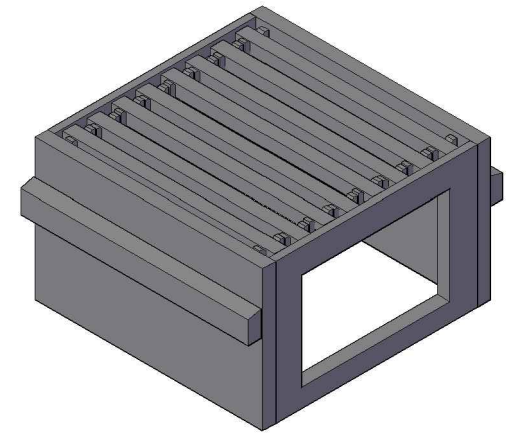
Hive Body Assembly with Observation Door

Scale 1:8

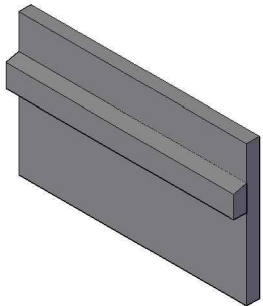
Step #3: Attach left side to back.



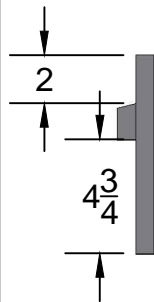
Step #5: Set 8 top bars in place evenly.



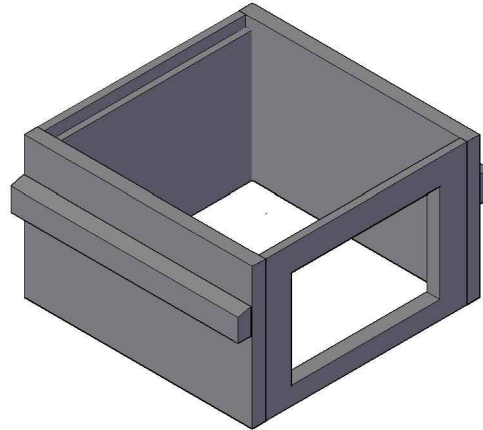
Step #1A: Attach handhold to left and right sides.



#1B: side view



Step #4: Attach front to sides.

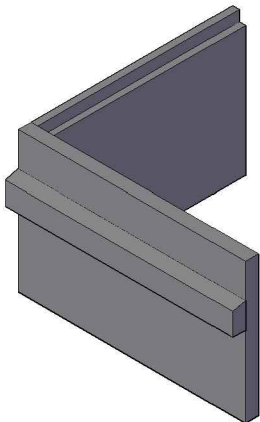


The next few pages will go into building the Observation Door and Frame for the Hive Body.

Designed By: Darren Gordon
House of Bees

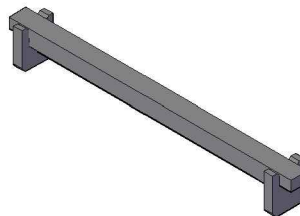
Drawn By: Leika J. Anderson
Olympic College

Step #2: Attach right side to back.



Note: Once Warre Hive is completed it is in this section that eight top bars will be set in place. Please use no glue or nails, as these are meant to be removable.

Top Bar
scale 1:6

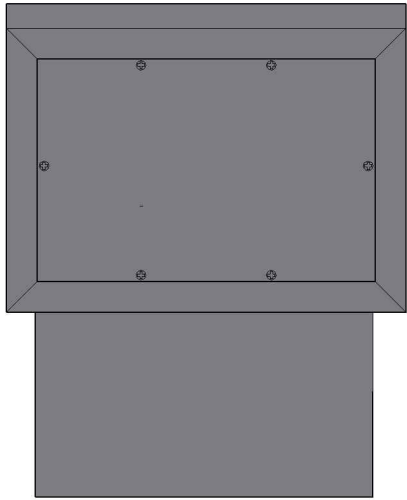


House of Bees

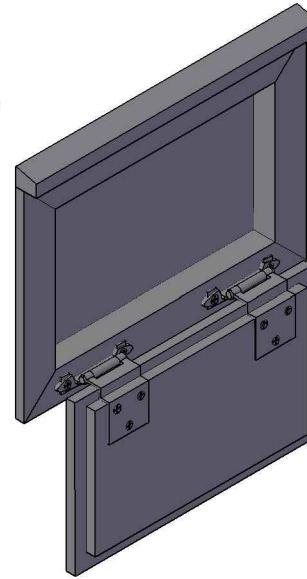
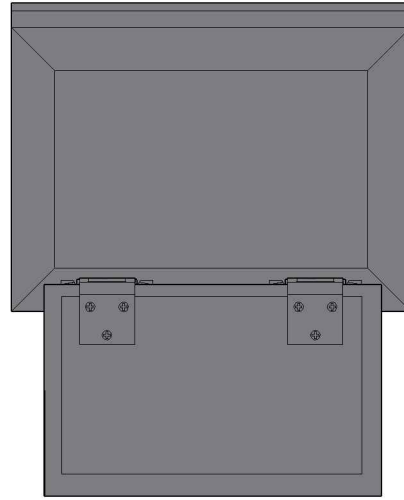


PO Box 24, Southworth, WA 98386
email: info@houseofbees.com
www.houseofbees.com

Inside View



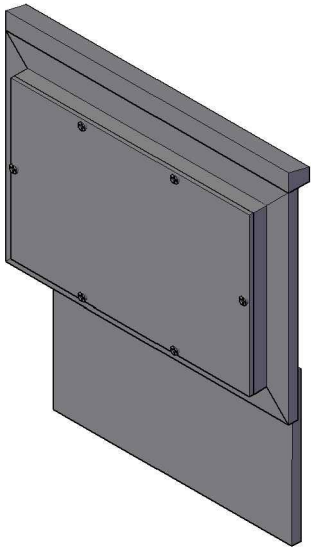
Outside View



Observation Door with Frame

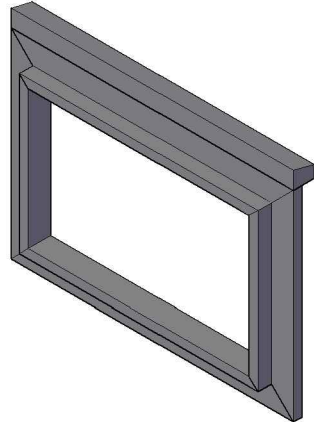
Scale 1:5

Inside view

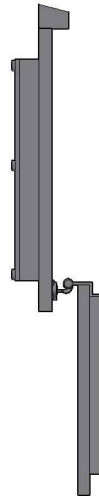


Plexiglass is attached to frame with screws

Inside view of frame



Side view



Designed By: Darren Gordon
House of Bees

Drawn By: Leika J. Anderson
Olympic College

House of Bees



PO Box 24, Southworth, WA 98386

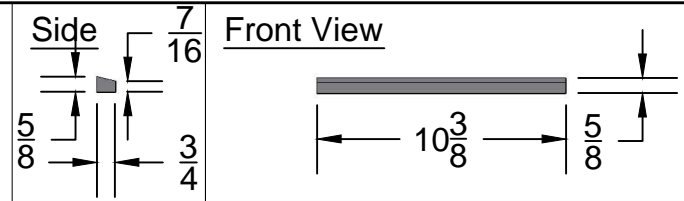
email: info@houseofbees.com

www.houseofbees.com

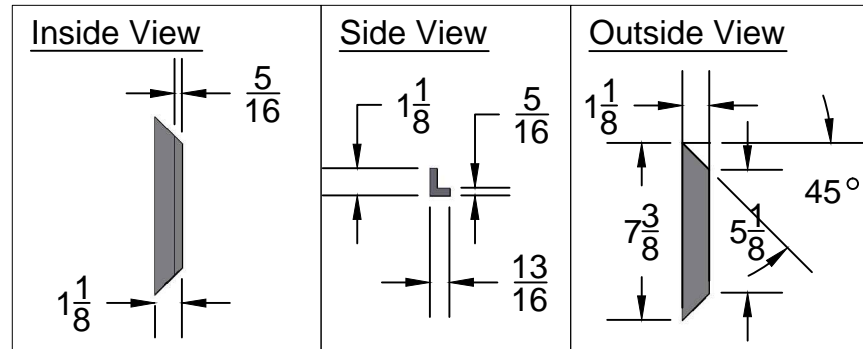
Observation Door and Frame Parts

Scale 1:8

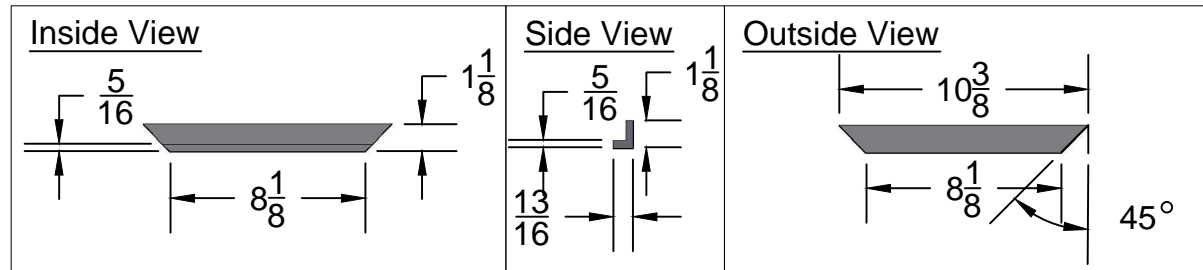
Note: All Dimensions Are In Inches Unless Otherwise Noted



Overhang for Frame



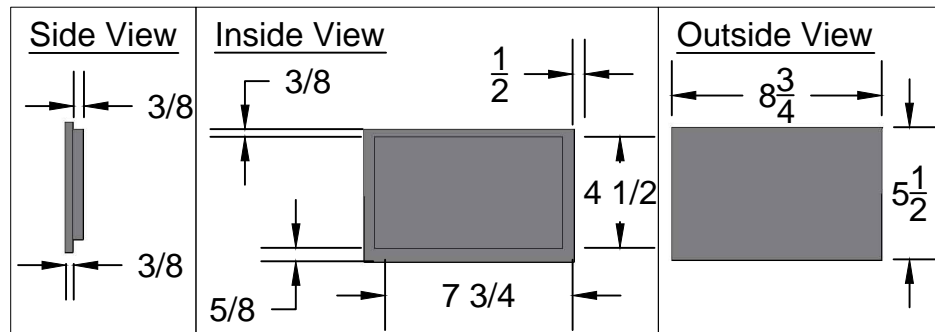
Left or Right Frame Edges



Top or Bottom Frame Edges

Designed By: Darren Gordon
House of Bees

Drawn By: Leika J. Anderson
Olympic College

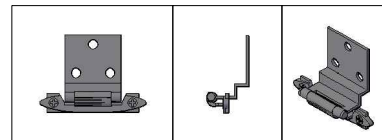


Observation Door

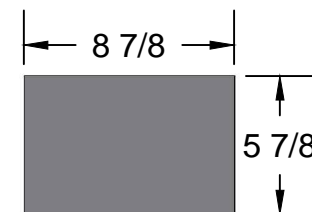
House of Bees



PO Box 24, Southworth, WA 98386
email: info@houseofbees.com
www.houseofbees.com



Hinges drawn are representational. Hinge used are 3/8" inset face frame mount, self-closing cabinet hinges.

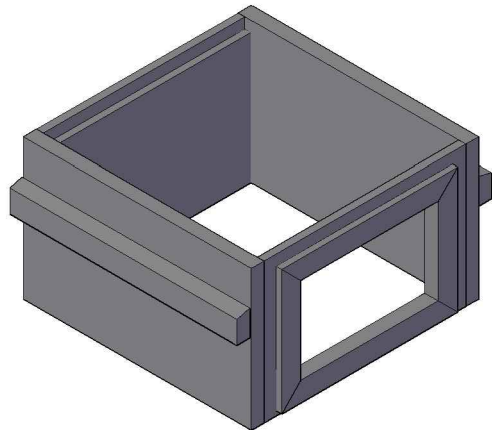


Plexiglass
1/4" thick

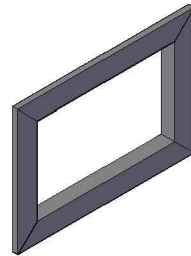
Observation Door and Frame Parts

Scale 1:8

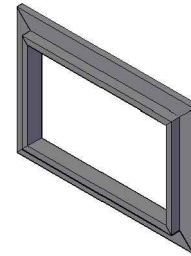
Step #1: Attach frame edges on the box. Apply glue to opening and fit pieces until centered, use staples as needed, and fill with wood putty.



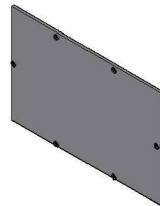
Outside View



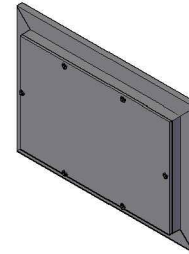
Inside View



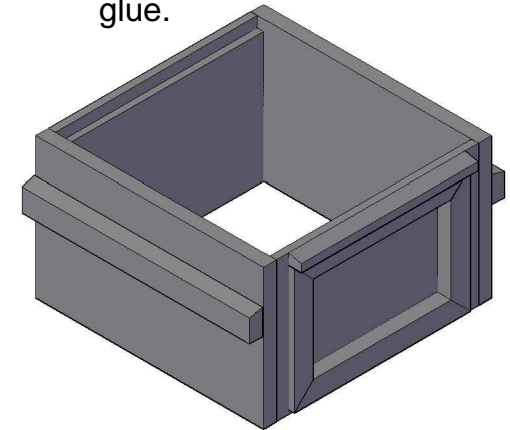
Step #2: Pre-drill plexiglass holes for screws.



Step #3: Attach the plexiglass with the screws, after frame is attached to box. (Shown in Step#1)

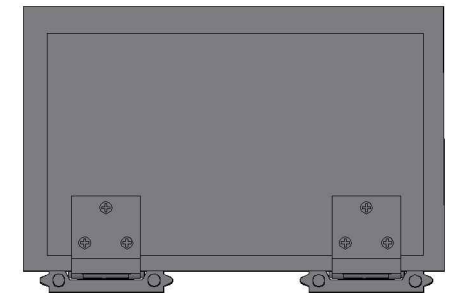


Step #4: Attach Overhang for frame with glue.

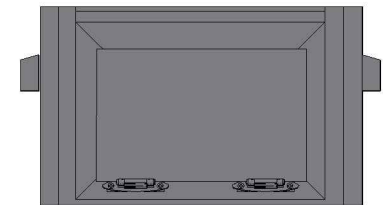


Step #5: Attach the hinges to door.

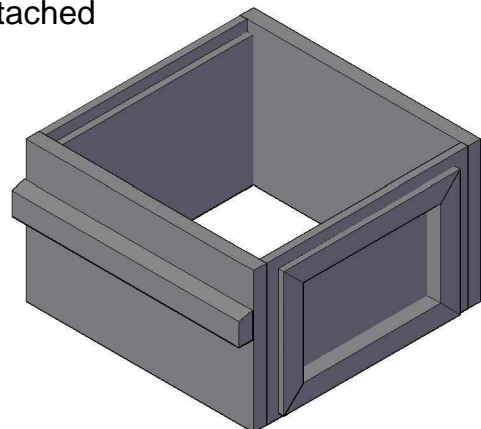
Scale 1:4



Step #6: Attach door to hive body.



Hive Body with frame and plexiglass attached



Designed By: Darren Gordon
House of Bees

Drawn By: Leika J. Anderson
Olympic College

House of Bees



PO Box 24, Southworth, WA 98386
email: info@houseofbees.com
www.houseofbees.com

Front View



Back View

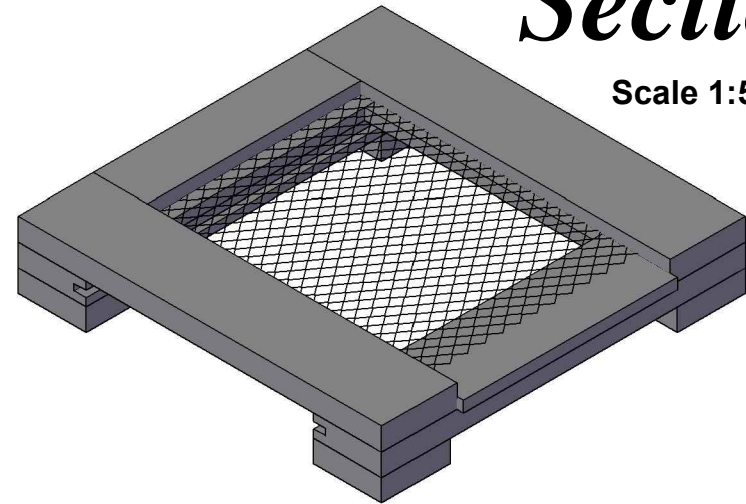


Left or Right Side View

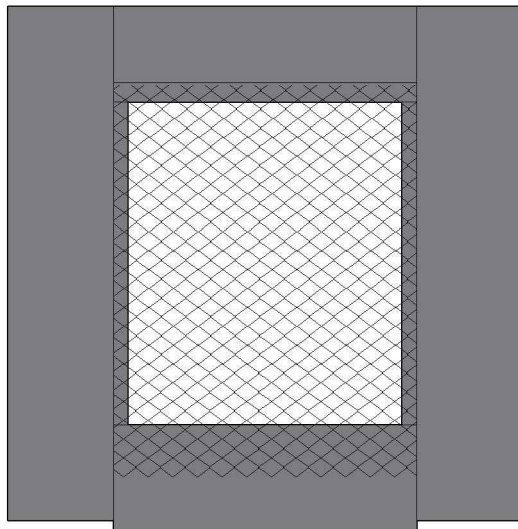


Base Section

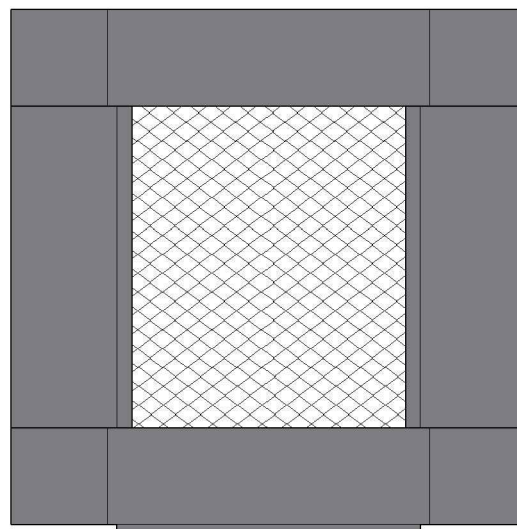
Scale 1:5



Top View



Bottom View



Designed By: Darren Gordon
House of Bees

Drawn By: Leika J. Anderson
Olympic College

House of Bees



PO Box 24, Southworth, WA 98386

email: info@houseofbees.com

www.houseofbees.com

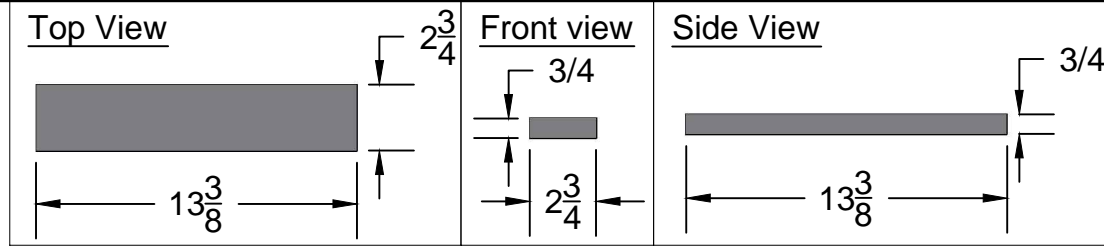
Base Section Parts

Scale 1:8

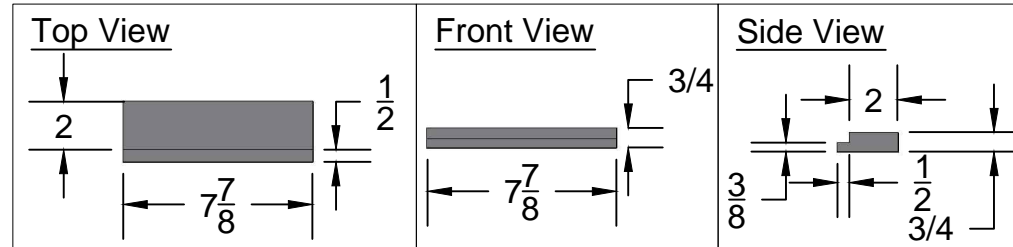
Designed By: Darren Gordon
House of Bees

Drawn By: Leika J. Anderson
Olympic College

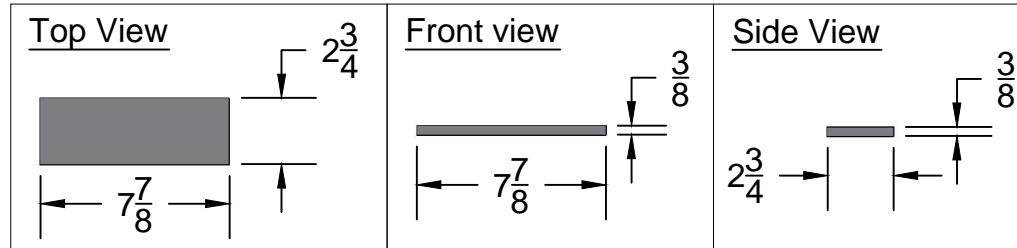
**Note: All Dimensions
Are In Inches Unless
Otherwise Noted**



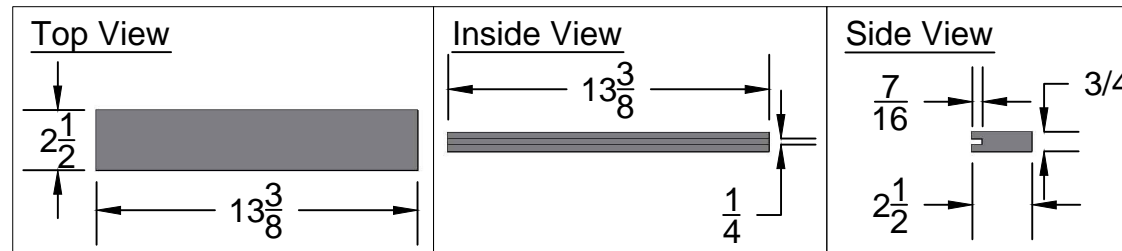
Left or Right
Sections



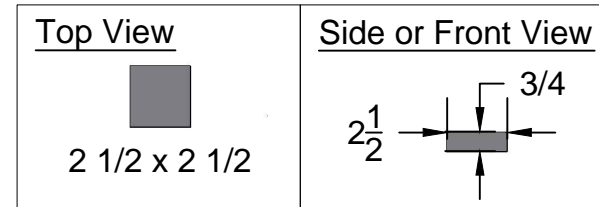
Back
Section



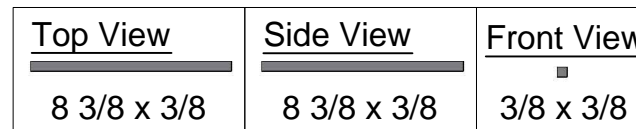
Landing
Board



Slotted
Sections



Feet
Sections

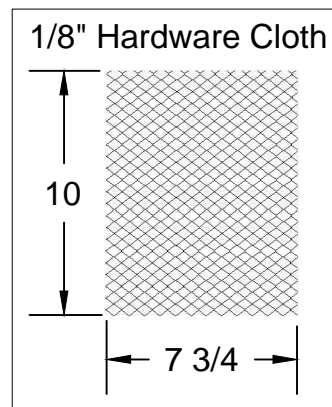


Trim Side
Sections

House of Bees



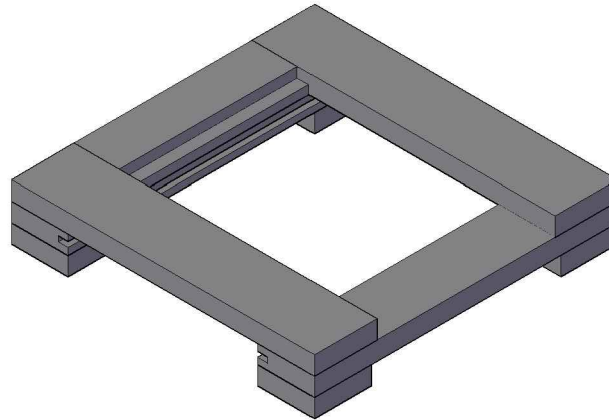
PO Box 24, Southworth, WA 98386
email: info@houseofbees.com
www.houseofbees.com



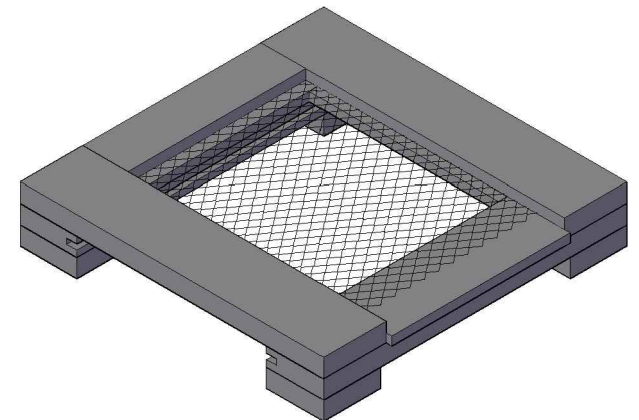
Base Section Assembly

Scale 1:6

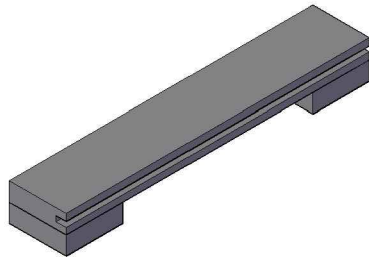
Step #3: Attach back section.



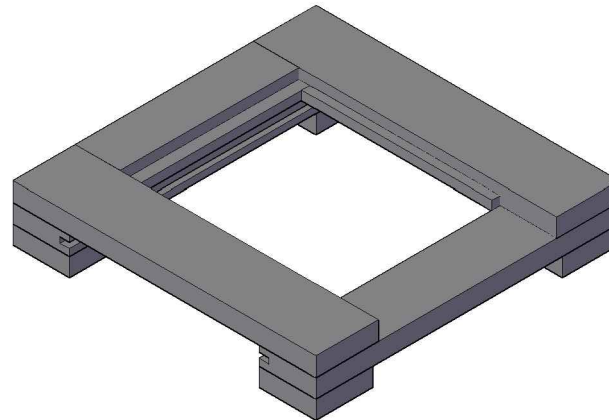
Step #6: Attach hardware cloth.



Step #1: Attach feet sections to ends of slotted sections.



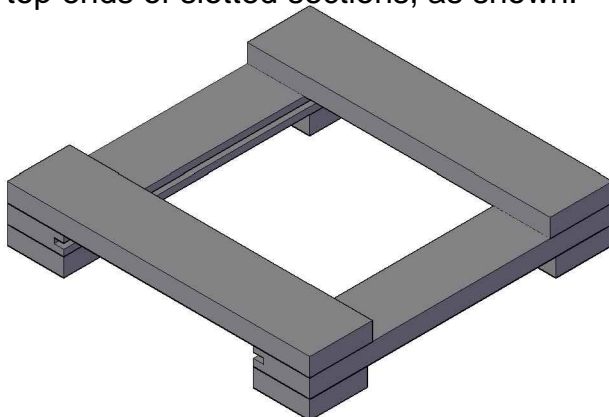
Step #4: Attach trim side sections.



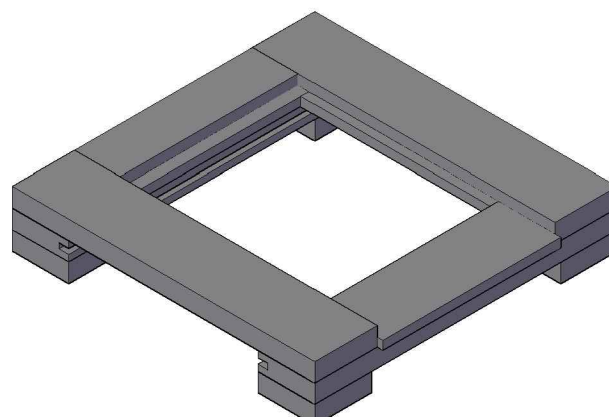
Designed By: Darren Gordon
House of Bees

Drawn By: Leika J. Anderson
Olympic College

Step #2: Attach left and right sections to top ends of slotted sections, as shown.



Step #5: Attach landing board



Note: Slotted section is for using sticky board to check for Varroa mites.

House of Bees

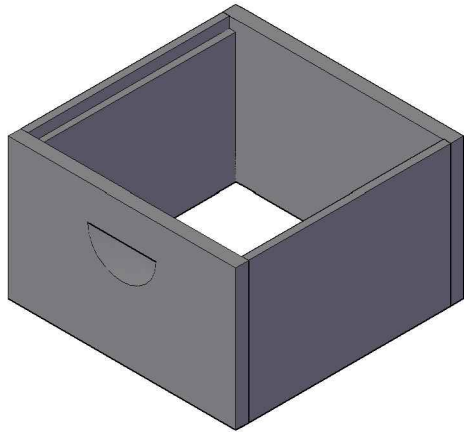


PO Box 24, Southworth, WA 98386

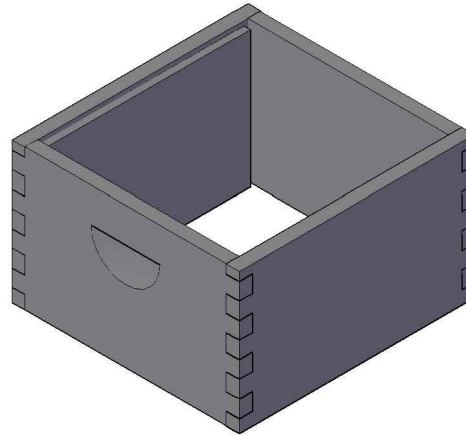
email: info@houseofbees.com

www.houseofbees.com

Recessed Handholds



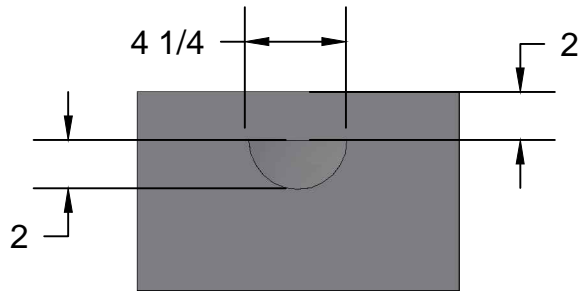
Box joints



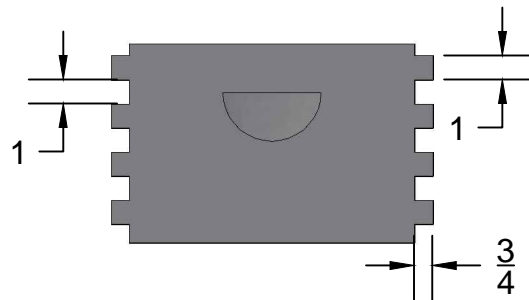
Options

Scale 1:8

Recessed Handholds are recessed 3/8" at the top and tapered to the bottom



Box joints can be pre-made in large sections of wood, then the wood sized down for individual sections.



Designed By: Darren Gordon
House of Bees

Drawn By: Leika J. Anderson
Olympic College

**Note: All Dimensions
Are In Inches Unless
Otherwise Noted**

House of Bees



PO Box 24, Southworth, WA 98386

email: info@houseofbees.com

www.houseofbees.com